

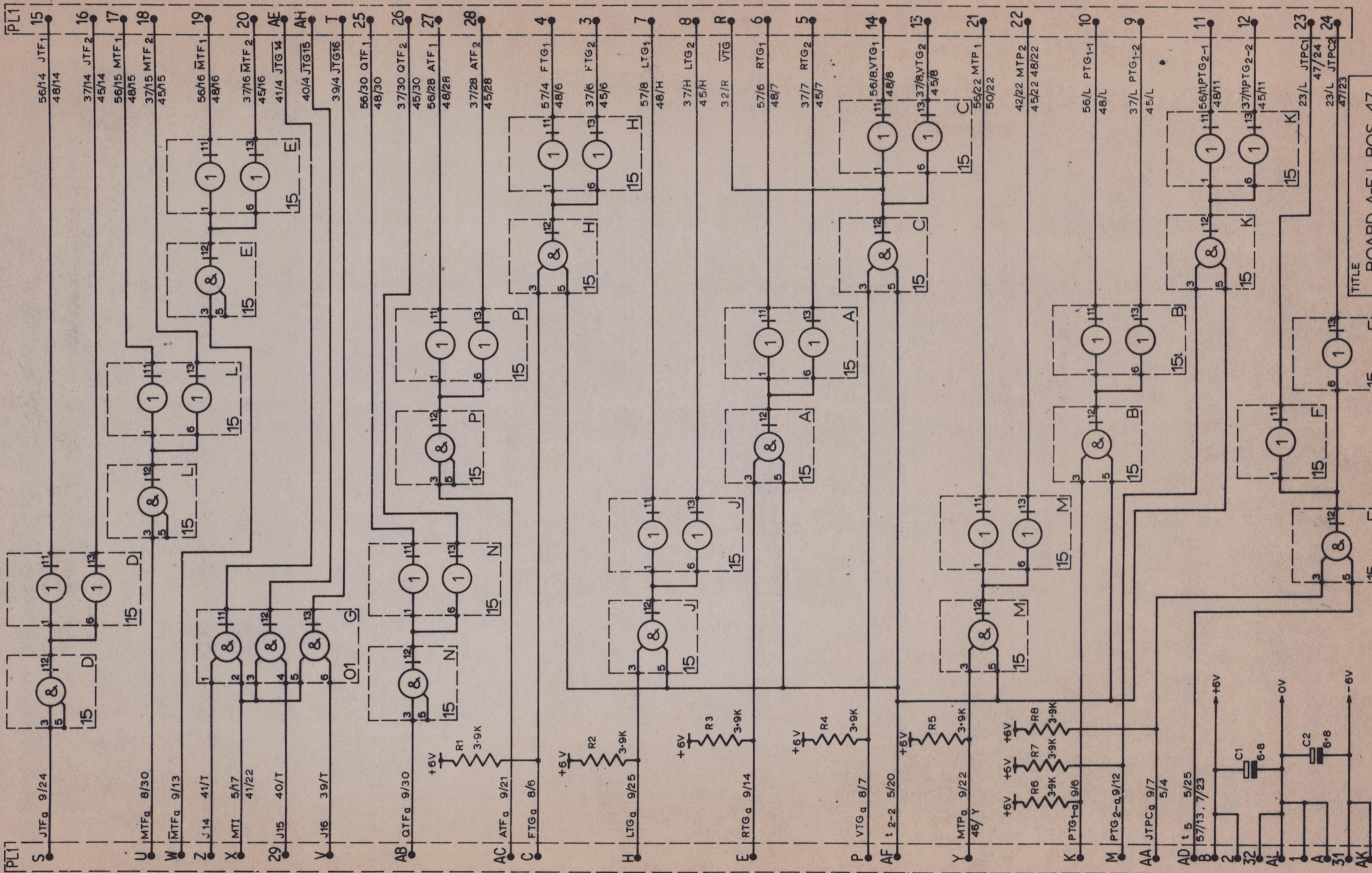
322C5238

THIRD ANGLE PROJECTION

DIMENSIONS IN INCHES UNLESS OTHERWISE STATED

DO NOT SCALE DRAWING

USED ON
C 4027
A 7201



TITLE
BOARD A-FJ POS. 47
WAVEFORM DRIVERS 1.

16

LATEST MI INCORPORATED: MI 2866 2998

ISSUE No.	2
ALTERATION No.	1740
DATE	13.5.66
INITIALS	S.S.
PARTS LIST No.	
DRAWN	D. & D.
CHECKED	B.S.
APPROVED	[Signature]
DATE	7-4-66

MATERIAL	FINISH
© Elliott Brothers (London) Limited THIS DRAWING IS THE PROPERTY OF ELLIOTT BROTHERS (LONDON) LIMITED AND MAY NOT BE COPIED USED OR DISCLOSED FOR ANY PURPOSES EXCEPT AS AUTHORIZED IN WRITING BY ELLIOTT BROTHERS (LONDON) LIMITED	
TOLERANCES LINEAR UNMACHINED SURFACES ± MACHINED SURFACES ± ANGULAR DIMENSIONS ± UNLESS OTHERWISE STATED	

ELLIOTT BROTHERS (LONDON) LTD

TITLE
BOARD A-FJ POS. 47
WAVEFORM DRIVERS 1.

SCALE
DRAWING No.
322C5238